

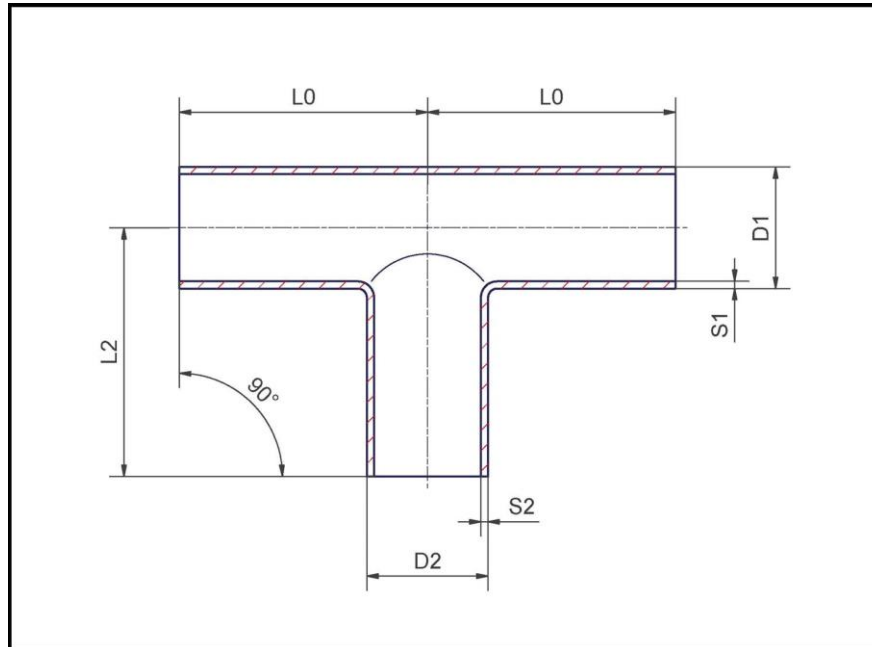
T-Stücke DIN 11865 - 1.4404 - Reihe C

NW ASME-BPE	Rohrmasse ASME-BPE				L0	L1	L2	Art.-Nr.	
	D1	S1	D2	S2				H3o	HE3o
1/4"	6.35	0.89	6.35	0.89	44.5	-	44.5	20708.000.014.30	80708.000.014.30
3/8 / 1/4"	9.53	0.89	6.35	0.89	44.5	-	44.5	20708.038.014.30	80708.038.014.30
3/8"	9.53	0.89	9.53	0.89	44.5	-	44.5	20708.000.038.30	80708.000.038.30
1/2" / 1/4"	12.7	1.65	6.35	0.89	47.6	-	47.6	20708.012.014.30	80708.012.014.30
1/2" / 3/8"	12.7	1.65	9.53	0.89	47.6	-	47.6	20708.012.038.30	80708.012.038.30
1/2"	12.7	1.65	12.7	1.65	47.6	-	47.6	20708.000.012.30	80708.000.012.30
3/4" / 3/8"	19.05	1.65	9.53	0.89	50.8	11	50.8	20708.034.038.30	80708.034.038.30
3/4" / 1/2"	19.05	1.65	12.7	1.65	50.8	11	50.8	20708.034.012.30	80708.034.012.30
3/4"	19.05	1.65	19.05	1.65	50.8	11	50.8	20708.000.034.30	80708.000.034.30
1" / 1/2"	25.4	1.65	12.7	1.65	54	14	54	20708.100.012.30	80708.100.012.30
1" / 3/4"	25.4	1.65	19.05	1.65	54	14	54	20708.100.034.30	80708.100.034.30
1"	25.4	1.65	25.4	1.65	54	14	54	20708.000.100.30	80708.000.100.30
1 1/2" / 3/4"	38.1	1.65	19.05	1.65	60.3	21	60.3	20708.112.034.30	80708.112.034.30
1 1/2" / 1"	38.1	1.65	25.4	1.65	60.3	21	60.3	20708.112.100.30	80708.112.100.30
1 1/2"	38.10	1.65	38.1	1.65	60.3	21	60.3	20708.000.112.30	80708.000.112.30
2" / 1"	50.8	1.65	25.4	1.65	73	27	66.7	20708.200.100.30	80708.200.100.30
2" / 1 1/2"	50.8	1.65	38.1	1.65	73	27	66.7	20708.200.112.30	80708.200.112.30
2"	50.8	1.65	50.8	1.65	73	29	73	20708.000.200.30	80708.000.200.30
2 1/2" / 1 1/2"	63.5	1.65	38.1	1.65	79.4	34	73	20708.212.112.30	80708.212.112.30

2 1/2" / 2"	63.5	1.65	50.8	1.65	79.4	35	73	20708.212.200.30	80708.212.200.30
2 1/2"	63.5	1.65	63.5	1.65	79.4	35	79.4	20708.000.212.30	80708.000.212.30
3" / 1 1/2"	76.2	1.65	38.1	1.65	85.7	40	79.4	20708.300.112.30	80708.300.112.30
3" / 2"	76.2	1.65	50.8	1.65	85.7	42	79.4	20708.300.200.30	80708.300.200.30
3" / 2 1/2"	76.2	1.65	63.5	1.65	85.7	42	79.4	20708.300.212.30	80708.300.212.30
3"	76.2	1.65	76.2	1.65	85.7	43	85.7	20708.000.300.30	80708.000.300.30
4" / 2"	101.6	2.11	50.8	1.65	104.8	54	98.4	20708.400.200.30	80708.400.200.30
4" / 2 1/2"	101.6	2.11	63.5	1.65	104.8	54	98.4	20708.400.212.30	80708.400.212.30
4" / 3"	101.6	2.11	76.2	1.65	104.8	56	98.4	20708.400.300.30	80708.400.300.30
4"	101.6	2.11	101.6	2.11	104.8	57	104.8	20708.000.400.30	80708.000.400.30
6" / 3"	152.4	2.77	76.2	1.65	142.9	83	123.8	20708.600.300.30	80708.600.300.30
6" / 4"	152.4	2.77	101.6	2.11	142.9	83	130.2	20708.600.400.30	80708.600.400.30
6"	152.4	2.77	152.4	2.77	142.9	90	142.9	20708.000.600.30	80708.000.600.30

Werkstoffe 1.4435 und 1.4539 sowie Sondersprünge auf Anfrage.

T-Stück Form T



T-Stück Form TK

