

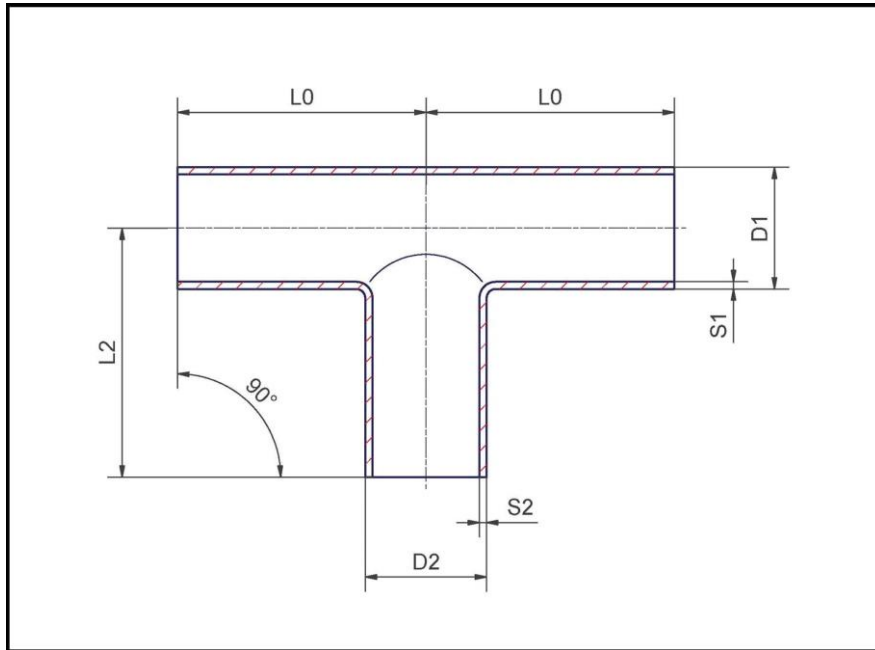
Tees DIN 11865 - 1.4435 BN2 - Raw B

ND ISO	Tube-dim. ISO				L0	L1	L2	Art.-No.	
	D1	S1	D2	S2				H3o	HE3o
6	10.2	1.6	10.2	1.6	30	-	30	20213.000.006.30	80213.000.006.30
8/6	13.5	1.6	10.2	1.6	32	-	32	20313.135.102.30	80313.135.102.30
8	13.5	1.6	13.5	1.6	32	-	32	20213.000.008.30	80213.000.008.30
10/6	17.2	1.6	10.2	1.6	34	10	34	20313.172.102.30	80313.172.102.30
10/8	17.2	1.6	13.5	1.6	34	10	34	20313.172.135.30	80313.172.135.30
10	17.2	1.6	17.2	1.6	34	10	34	20213.000.010.30	80213.000.010.30
15/6	21.3	1.6	10.2	1.6	36	12	36	20313.213.102.30	80313.213.102.30
15/8	21.3	1.6	13.5	1.6	36	12	36	20313.213.135.30	80313.213.135.30
15/10	21.3	1.6	17.2	1.6	36	12	36	20313.213.172.30	80313.213.172.30
15	21.3	1.6	21.3	1.6	36	12	36	20213.000.015.30	80213.000.015.30
20/8	26.9	1.6	13.5	1.6	55	15	55	20313.269.135.30	80313.269.135.30
20/10	26.9	1.6	17.2	1.6	55	15	55	20313.269.172.30	80313.269.172.30
20/15	26.9	1.6	21.3	1.6	55	15	55	20313.269.213.30	80313.269.213.30
20	26.9	1.6	26.9	1.6	55	15	55	20213.000.020.30	80213.000.020.30
25/10	33.7	2	17.2	1.6	60	18	60	20313.337.172.30	80313.337.172.30
25/15	33.7	2	21.3	1.6	60	18	60	20313.337.213.30	80313.337.213.30
25/20	33.7	2	26.9	1.6	60	18	60	20313.337.269.30	80313.337.269.30
25	33.7	2	33.7	2	60	18	60	20213.000.025.30	80213.000.025.30
32/15	42.4	2	21.3	1.6	65	23	65	20313.424.213.30	80313.424.213.30
32/20	42.4	2	26.9	1.6	65	23	65	20313.424.269.30	80313.424.269.30
32/25	42.4	2	33.7	2	65	23	65	20313.424.337.30	80313.424.337.30
32	42.4	2	42.4	2	65	23	65	20213.000.032.30	80213.000.032.30
40/20	48.3	2	26.9	1.6	65	26	65	20313.483.269.30	80313.483.269.30
40/25	48.3	2	33.7	2	65	26	65	20313.483.337.30	80313.483.337.30
40/32	48.3	2	42.4	2	65	26	65	20313.483.424.30	80313.483.424.30
40	48.3	2	48.3	2	65	27	65	20213.000.040.30	80213.000.040.30
50/25	60.3	2	33.7	2	90	32	90	20313.603.337.30	80313.603.337.30
50/32	60.3	2	42.4	2	90	32	90	20313.603.424.30	80313.603.424.30
50/40	60.3	2	48.3	2	90	33	90	20313.603.483.30	80313.603.483.30
50	60.3	2	60.3	2	90	34	90	20213.000.050.30	80213.000.050.30
65/32	76.1	2	42.4	2	110	40	90	20313.761.424.30	80313.761.424.30
65/40	76.1	2	48.3	2	110	41	90	20313.761.483.30	80313.761.483.30
65/50	76.1	2	60.3	2	110	42	90	20313.761.603.30	80313.761.603.30
65	76.1	2	76.1	2	110	43	110	20213.000.065.30	80213.000.065.30

80/40	88.9	2.3	48.3	2	130	47	110	20313.889.483.30	80313.889.483.30
80/50	88.9	2.3	60.3	2	130	48	110	20313.889.603.30	80313.889.603.30
80/65	88.9	2.3	76.1	2	130	50	110	20313.889.761.30	80313.889.761.30
80	88.9	2.3	88.9	2.3	130	50	130	20213.000.080.30	80213.000.080.30
100/50	114.3	2.3	60.3	2	160	61	130	20313.114.603.30	80313.114.603.30
100/65	114.3	2.3	76.1	2	160	62	130	20313.114.761.30	80313.114.761.30
100/80	114.3	2.3	88.9	2.3	160	62	130	20313.114.889.30	80313.114.889.30
100	114.3	2.3	114.3	2.3	160	63	160	20213.000.100.30	80213.000.100.30
125/65	139.7	2.6	76.1	2	200	75	160	20313.139.761.30	80313.139.761.30
125/80	139.7	2.6	88.9	2.3	200	75	160	20313.139.889.30	80313.139.889.30
125/100	139.7	2.6	114.3	2.3	200	76	160	20313.139.114.30	80313.139.114.30
125	139.7	2.6	139.7	2.6	200	80	200	20213.000.125.30	80213.000.125.30
150/80	168.3	2.6	88.9	2.3	250	89	200	20313.168.889.30	80313.168.889.30
150/100	168.3	2.6	114.3	2.3	250	90	200	20313.168.114.30	80313.168.114.30
150/125	168.3	2.6	139.7	2.6	250	94	200	20313.168.139.30	80313.168.139.30
150	168.3	2.6	168.3	2.6	250	97	250	20213.000.150.30	80213.000.150.30
200/100	219.1	2.6	114.3	2.3	300	116	250	20313.219.114.30	80313.219.114.30
200/125	219.1	2.6	139.7	2.6	300	120	250	20313.219.139.30	80313.219.139.30
200/150	219.1	2.6	168.3	2.6	300	123	250	20313.219.168.30	80313.219.168.30
200	219.1	2.6	219.1	2.6	300	124	300	20213.000.200.30	80213.000.200.30

Steel grade 1.4404 and 1.4539 and special-reduced tees on request.

Tee Form T



Tee Form TK

