

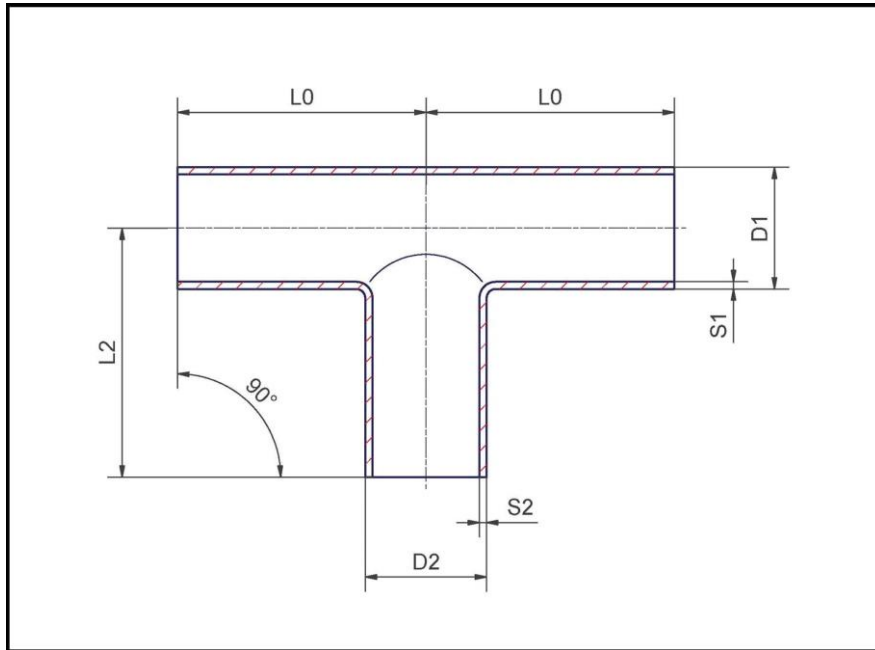
Tees DIN 11865 - 1.4435 BN2 - Raw A

ND DIN	Tube-dim. DIN				L0	L1	L2	Art.-No.	
	D1	S1	D2	S2				H3o	HE3o
6	8	1	8	1	30	-	30	20211.000.006.30	80211.000.006.30
8/6	10	1	8	1	30	-	30	20211.008.006.30	80211.008.006.30
10/6	13	1.5	8	1	30	-	30	20211.010.006.30	80211.010.006.30
10/8	13	1.5	10	1	30	-	30	20211.010.008.30	80211.010.008.30
10	13	1.5	13	1.5	35	-	35	20211.000.010.30	80211.000.010.30
15/8	19	1.5	10	1	35	11	35	20211.015.008.30	80211.015.008.30
15/10	19	1.5	13	1.5	35	11	35	20211.015.010.30	80211.015.010.30
15	19	1.5	19	1.5	35	11	35	20211.000.015.30	80211.000.015.30
20/10	23	1.5	13	1.5	40	13	40	20211.020.010.30	80211.020.010.30
20/15	23	1.5	19	1.5	40	13	40	20211.020.015.30	80211.020.015.30
20	23	1.5	23	1.5	40	13	40	20211.000.020.30	80211.000.020.30
25/15	29	1.5	19	1.5	50	16	50	20211.025.015.30	80211.025.015.30
25/20	29	1.5	23	1.5	50	16	50	20211.025.020.30	80211.025.020.30
25	29	1.5	29	1.5	50	16	50	20211.000.025.30	80211.000.025.30
32/15	35	1.5	19	1.5	55	19	55	20211.032.015.30	80211.032.015.30
32/20	35	1.5	23	1.5	55	19	55	20211.032.020.30	80211.032.020.30
32/25	35	1.5	29	1.5	55	19	55	20211.032.025.30	80211.032.025.30
32	35	1.5	35	1.5	55	19	55	20211.000.032.30	80211.000.032.30
40/20	41	1.5	23	1.5	60	22	60	20211.040.020.30	80211.040.020.30
40/25	41	1.5	29	1.5	60	22	60	20211.040.025.30	80211.040.025.30
40/32	41	1.5	35	1.5	60	22	60	20211.040.032.30	80211.040.032.30
40	41	1.5	41	1.5	60	23	60	20211.000.040.30	80211.000.040.30
50/25	53	1.5	29	1.5	80	28	80	20211.050.025.30	80211.050.025.30
50/32	53	1.5	35	1.5	80	28	80	20211.050.032.30	80211.050.032.30
50/40	53	1.5	41	1.5	80	29	80	20211.050.040.30	80211.050.040.30
50	53	1.5	53	1.5	80	30	80	20211.000.050.30	80211.000.050.30
65/32	70	2	35	1.5	105	37	80	20211.065.032.30	80211.065.032.30
65/40	70	2	41	1.5	105	37	80	20211.065.040.30	80211.065.040.30
65/50	70	2	53	1.5	105	38	80	20211.065.050.30	80211.065.050.30
65	70	2	70	2	105	40	105	20211.000.065.30	80211.000.065.30
80/40	85	2	41	1.5	130	45	105	20211.080.040.30	80211.080.040.30
80/50	85	2	53	1.5	130	46	105	20211.080.050.30	80211.080.050.30
80/65	85	2	70	2	130	47	105	20211.080.065.30	80211.080.065.30
80	85	2	85	2	130	48	130	20211.000.080.30	80211.000.080.30

100/50	104	2	53	1.5	155	55	130	20211.100.050.30	80211.100.050.30
100/65	104	2	70	2	155	57	130	20211.100.065.30	80211.100.065.30
100/80	104	2	85	2	155	57	130	20211.100.080.30	80211.100.080.30
100	104	2	104	2	155	58	155	20211.000.100.30	80211.000.100.30
125/65	129	2	70	2	187.5	70	155	20211.125.065.30	80211.125.065.30
125/80	129	2	85	2	187.5	70	155	20211.125.080.30	80211.125.080.30
125/100	129	2	104	2	187.5	70	155	20211.125.100.30	80211.125.100.30
125	129	2	129	2	187.5	74	187.5	20211.000.125.30	80211.000.125.30
150/80	154	2	85	2	225	82	187.5	20211.150.080.30	80211.150.080.30
150/100	154	2	104	2	225	83	187.5	20211.150.100.30	80211.150.100.30
150/125	154	2	129	2	225	86	187.5	20211.150.125.30	80211.150.125.30
150	154	2	154	2	225	90	225	20211.000.150.30	80211.000.150.30
200/100	204	2	104	2	300	108	225	20211.200.100.30	80211.200.100.30
200/125	204	2	129	2	300	111	225	20211.200.125.30	80211.200.125.30
200/150	204	2	154	2	300	115	225	20211.200.150.30	80211.200.150.30
200	204	2	204	2	300	115	300	20211.000.200.30	80211.000.200.30

Steel grade 1.4404 and 1.4539 and special-reduced tees on request.

Tee Form T



Tee Form TK

