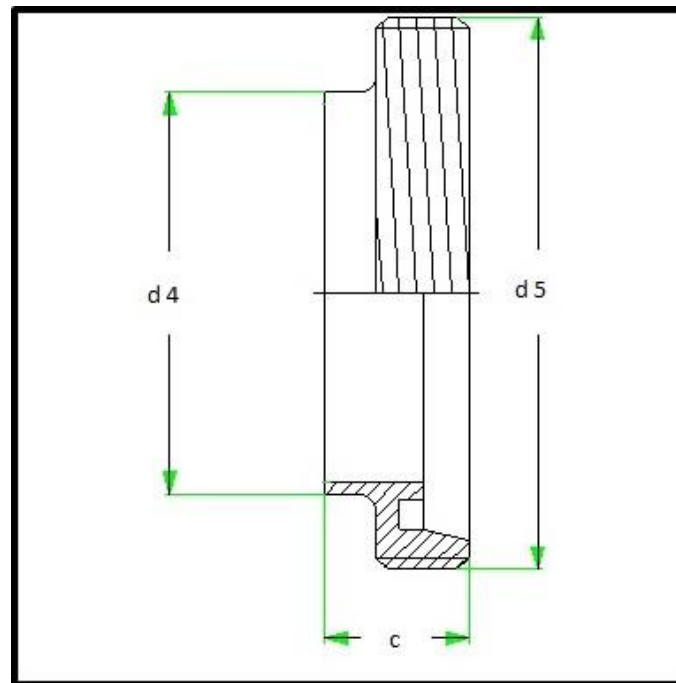


**Special screwed union - 1.4404 DIN/ISO**

ND	Dim. d 4	Male part			Liner	
		d 5	c	Art.-No.	h	Art.-No.
10	17.2x1.6	Rd 28x1/8"	21	10019.000.010.30	17	10020.000.010.30
15	21.3x1.6	Rd 34x1/8"	21	10019.000.015.30	17	10020.000.015.30
20	26.9x1.6	Rd 44x1/6"	24	10019.000.020.30	18	10020.000.020.30
25	33.7x2.0	Rd 52x1/6"	29	10019.000.025.30	22	10020.000.025.30
32	42.4x2.0	Rd 58x1/6"	32	10019.000.032.30	25	10020.000.032.30
40	48.3x2.0	Rd 65x1/6"	33	10019.000.040.30	26	10020.000.040.30
50	60.3x2.0	Rd 78x1/6"	35	10019.000.050.30	28	10020.000.050.30
65	76.1x2.0	Rd 95x1/6"	40	10019.000.065.30	32	10020.000.065.30
80	88.9x2.3	Rd 110x1/4"	45	10019.000.080.30	37	10020.000.080.30
100	114.3x2.3	Rd 130x1/4"	54	10019.000.100.30	44	10020.000.100.30
125	139.7x2.6	Rd 160x1/4"	46	10019.000.125.30	34	10020.000.125.30
150	168.3x2.6	Rd 190x1/4"	50	10019.000.150.30	37	10020.000.150.30

Nuts and sealrings acc. union DIN 11851.

**Male part (SC)**



**Liner (SD)**

