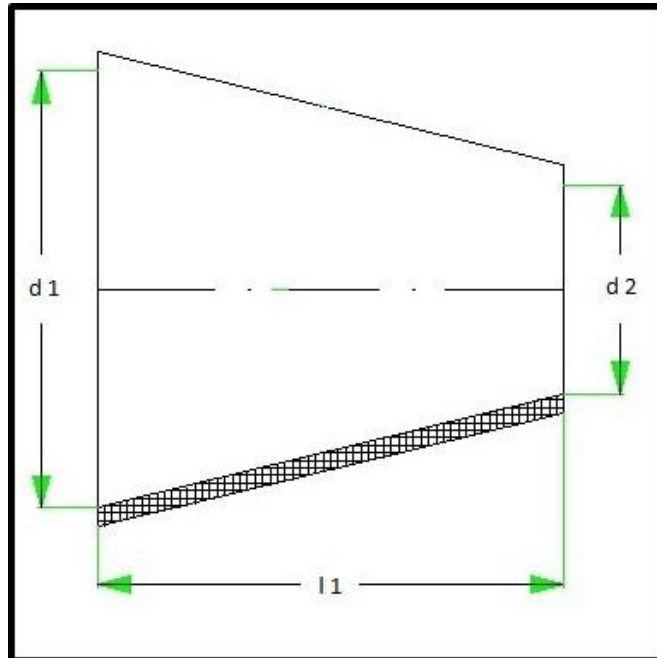


Reduzierungen DIN 11852

NW	d1	d2	konzentrisch "RK"		exzentrisch "RE"	
			l1	Art.-Nr. 1.4307/1.4404	l2	Art.-Nr. 1.4307/1.4404
15/10	16	10	11	10133.015.010.10/30	16.5	10141.015.010.10/30
20/10	20	10	18	10133.020.010.10/30	27.5	10141.020.010.10/30
20/15	20	16	7	10133.020.015.10/30	11	10141.020.015.10/30
25/15	26	16	18	10133.025.015.10/30	27.5	10141.025.015.10/30
25/20	26	20	11	10133.025.020.10/30	16.5	10141.025.020.10/30
32/20	32	20	22	10133.032.020.10/30	33	10141.032.020.10/30
32/25	32	26	11	10133.032.025.10/30	16.5	10141.032.025.10/30
40/15	38	16	39	10133.040.015.10/30	60.5	10141.040.015.10/30
40/20	38	20	33	10133.040.020.10/30	49.5	10141.040.020.10/30
40/25	38	26	22	10133.040.025.10/30	33	10141.040.025.10/30
40/32	38	32	11	10133.040.032.10/30	16.5	10141.040.032.10/30
50/25	50	26	44	10133.050.025.10/30	66	10141.050.025.10/30
50/32	50	32	33	10133.050.032.10/30	49.5	10141.050.032.10/30
50/40	50	38	22	10133.050.040.10/30	33	10141.050.040.10/30
65/25	66	26	73	10133.065.025.10/30	110	10141.065.025.10/30
65/40	66	38	51	10133.065.040.10/30	77	10141.065.040.10/30
65/50	66	50	29	10133.065.050.10/30	44	10141.065.050.10/30
80/50	81	50	56	10133.080.050.10/30	85	10141.080.050.10/30
80/65	81	66	27	10133.080.065.10/30	41.2	10141.080.065.10/30
100/50	100	50	90	10133.100.050.10/30	137.5	10141.100.050.10/30
100/65	100	66	61	10133.100.065.10/30	93.5	10141.100.065.10/30
100/80	100	81	34	10133.100.080.10/30	52.5	10141.100.080.10/30
125/80	125	81	79	10133.125.080.10/30	121	10141.125.080.10/30
125/100	125	100	45	10133.125.100.10/30	68.5	10141.125.100.10/30
150/100	150	100	90	10133.150.100.10/30	137.5	10141.150.100.10/30
150/125	150	125	45	10133.150.125.10/30	68.5	10141.150.125.10/30
200/150	200	150	90	10133.200.150.10/30	-	auf Anfrage

Sondersprünge auf Anfrage.

Reduzierung konzentrisch Form RK



Reduzierung exzentrisch Form RE

